

Thank you for purchasing a V-Tronix™ antenna product. We work hard to build reliability and durability into all of our products. Customer comments are welcome. Before installing, please study the diagram and check parts supplied against those listed.

IMPORTANT! Please read all instructions before installing.

The V-Tronix ARMNT Stainless Steel Ratchet Mount is a versatile, free-standing mount with a four-way ratchet design. It can be used for mounting to vertical or horizontal surfaces - deck or bulkhead - and adjust to a slanted surface.

Tools required: As needed to secure mount to surface, drill and drill bit for 1/4" screws; screwdriver; wrench or pliers

Installation Instructions

Choose a mounting location that is as high as possible, as free as possible from obstructions, and as far as practical from other antennas or strong sources of RF. Use 1/4" bolts and washers (sold separately) to attach the mount securely to the surface you choose. For other types of surfaces, you may need other types of mounting hardware (not supplied).

1. Using the base of the Ratchet Mount as a template, mark the location for the mounting holes. Drill 1/4" holes.
2. Attach the Ratchet Mount to the mounting surface. Be sure to use only stainless steel hardware.

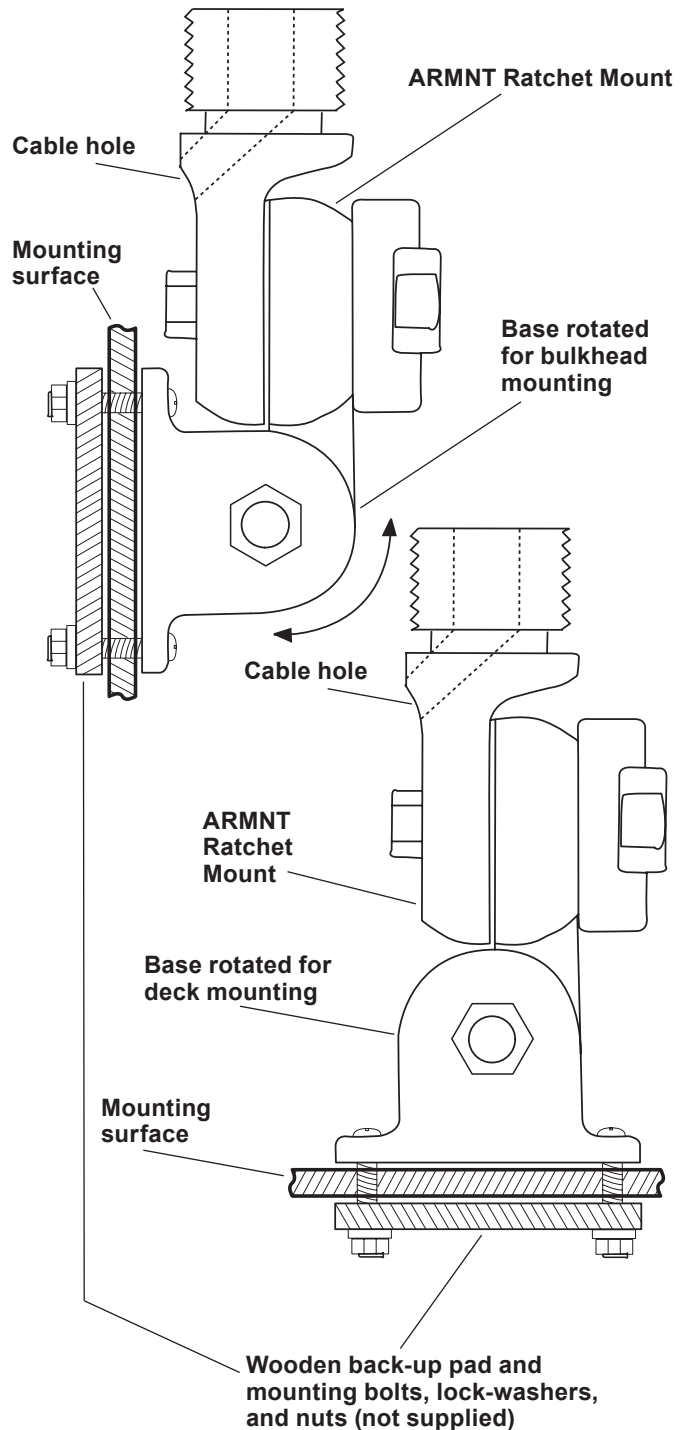
IMPORTANT: If the thickness of the mounting surface is not adequate to support the antenna under expected stress, a wooden back-up pad (not supplied) should be applied underneath the mounting surface during installation.

3. Assemble the antenna to the Ratchet Mount, being careful not to damage the antenna's cabling, if any.

For a streamlined look, the cable may be routed through the slot in the side of the mount.

To preserve the mount's lustre, apply automobile wax or metal polish.

Supplied Parts
1 Stainless steel mount



Shakespeare Electronic Products Group