

Thank you for purchasing a V-Tronix™ antenna product. We work hard to build reliability and durability into all of our products. Customer comments are welcome. Before installing, please study the diagram and check parts supplied against those listed.

**IMPORTANT! Please read all instructions before installing.**

The V-Tronix ARMNT-SL Stainless Steel Ratchet Mount is a versatile, free-standing mount with a four-way ratchet design. It can be used for mounting to vertical or horizontal surfaces (deck or bulkhead) and to adjust the antenna's vertical orientation when mounted to a slanted surface.

**Tools required: As needed to secure mount to surface, drill and drill bit for 1/4" screws; screwdriver; wrench or pliers**

**Installation Instructions**

Choose a mounting location according to the requirements of the antenna you are using.

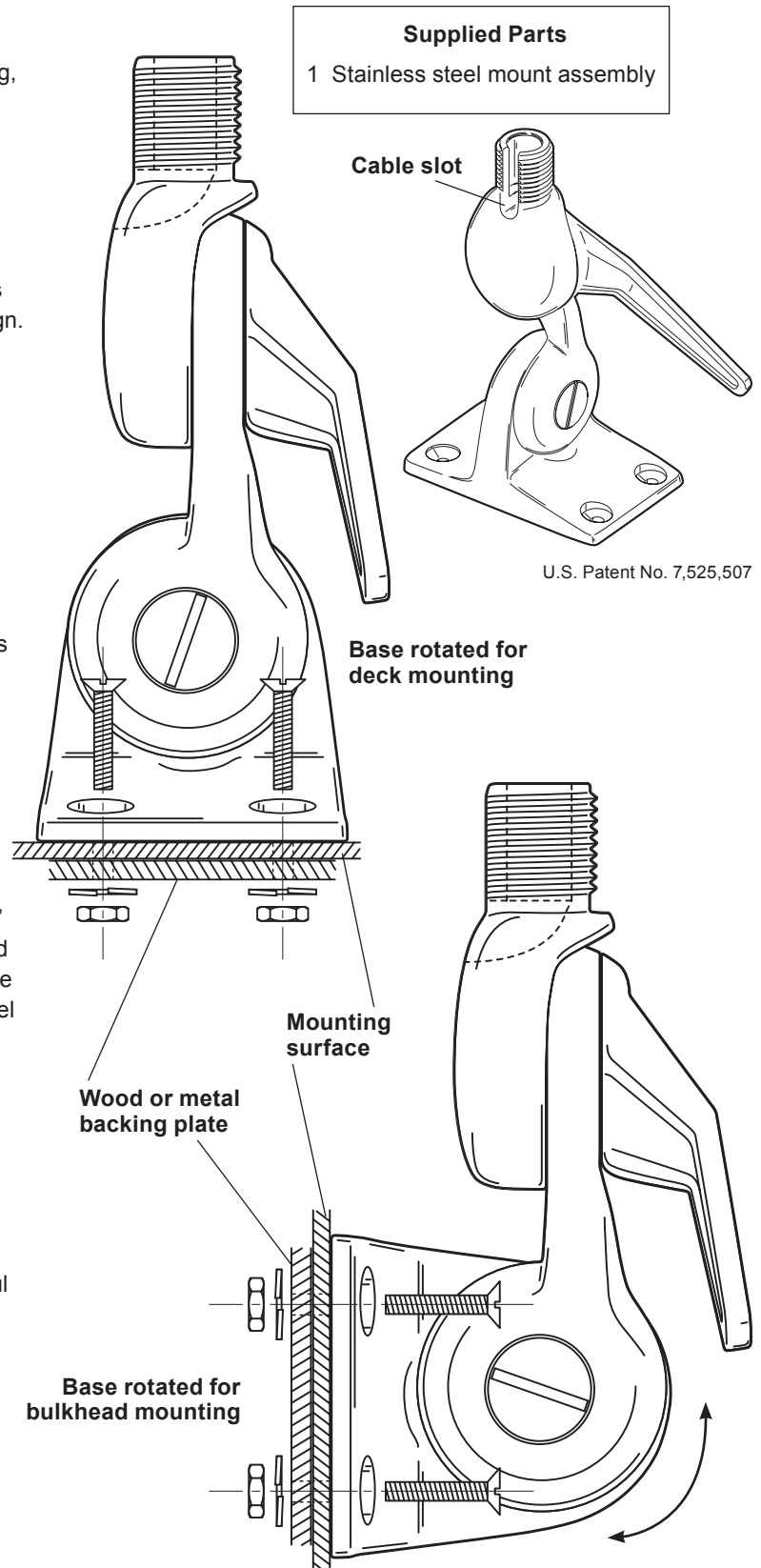
1. Using the base of the Ratchet Mount as a template, mark the location for the mounting holes.
2. Drill 1/4" holes. When drilling fiberglass, use a backup block of wood to reduce push-through surface damage.
3. Attach the Ratchet Mount to the mounting surface with 1/4" stainless steel bolts, washers, lock washers and nuts (sold separately) or other hardware (not supplied) that is suitable to the mounting surface. Be sure to use only stainless steel hardware.

**IMPORTANT: If the thickness of the mounting surface is not adequate to support the antenna under expected stress, a wooden back-up pad (not supplied) should be applied underneath the mounting surface during installation.**

4. Assemble the antenna to the Ratchet Mount, being careful not to damage the antenna's cabling, if any.

For a streamlined look, the cable may be routed through the slot in the side of the mount.

To preserve the mount's lustre, apply automobile wax or metal polish.



U.S. Patent No. 7,525,507

**Shakespeare Electronic Products Group**