

Shakespeare[®]

STYLE 2025 OMNIDIRECTIONAL MARINE TV/FM ANTENNA

NOTE: Please read all instructions **before** beginning installation!

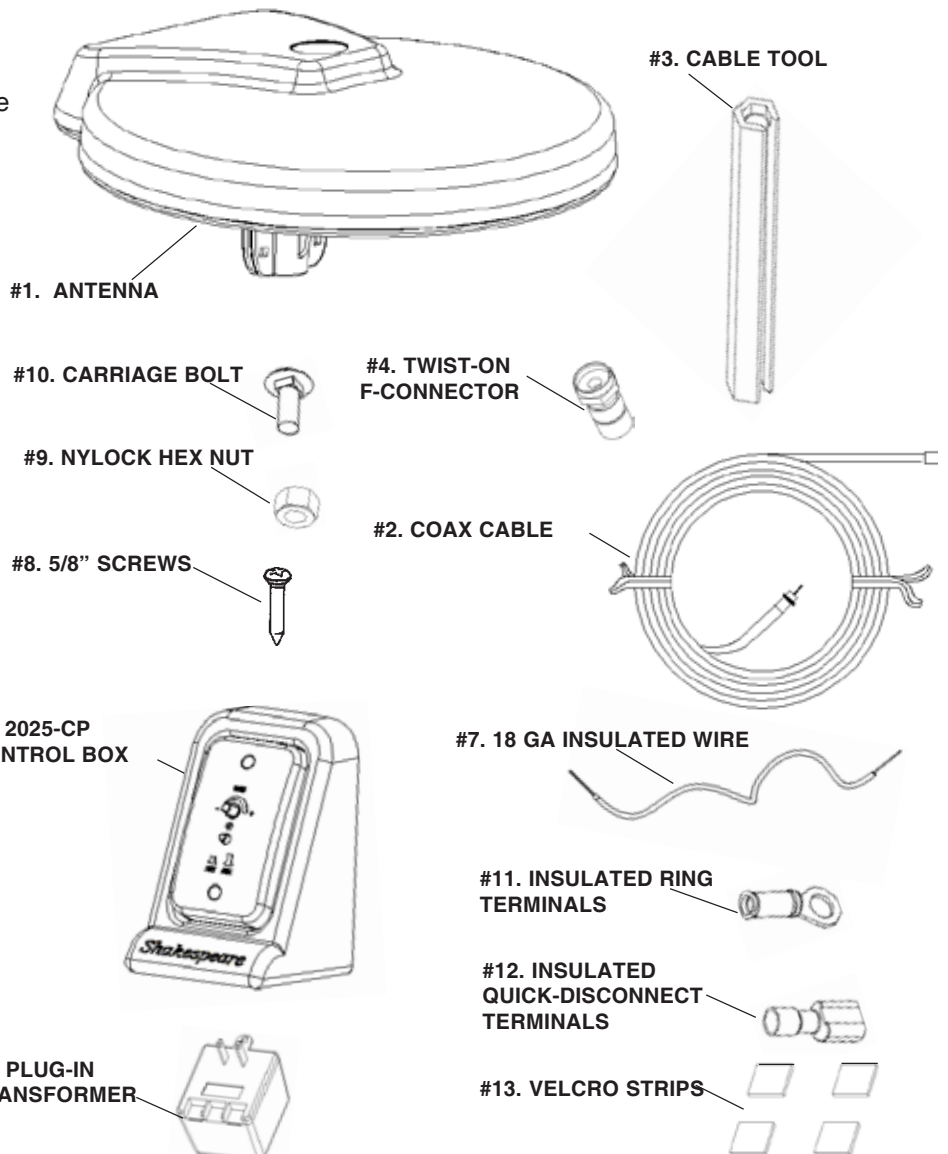
WARNING!
To prevent **FIRE** or **SHOCK HAZARD**, avoid exposure of control panel to moisture.

PARTS LIST

1. (1) Antenna
2. (1) 30' RG-59 Low Loss Coax Cable
3. (1) Cable Tool
4. (4) Twist-on Type F-Connectors
5. (1) 2025-CP Control Box
6. (1) Plug-in Transformer
Input: 120 VAC, 60 Hz
Output: 16 VDC, 140 ma
7. (1) 5' 18 GA insulated wire
8. (4) #6 5/8" screws
9. (4) 1/4-20 Nylock Hex Nuts
10. (4) 1/4-20 Carriage Bolts
11. (2) Insulated Ring Terminals
12. (4) Insulated Quick-Disconnect Terminals
13. (4) 1" Velcro Strips

TOOLS NEEDED

- #2 Phillips screwdriver
- 7/16" wrench
- Crimping tool
- Medium slot screwdriver
- Cable tool (provided)
- Wire stripper



BEFORE YOU MOUNT ANTENNA: Determine where you will put your control box before mounting your antenna.

There are two options for installation of the control box shown on page 3. A wiring diagram is shown in Figure 1 to help you determine the location for your control box and antenna. **Where you mount your antenna and install the control box determines where and how you run your cables.**

DO NOT begin installation before carefully reading all installation instructions.

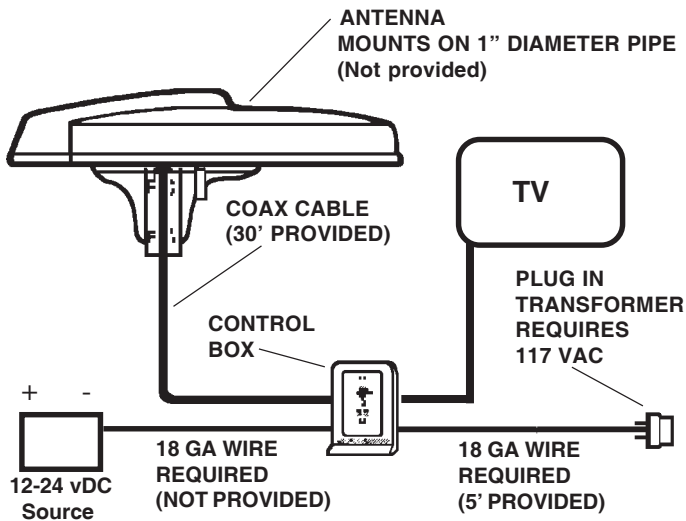


FIGURE 1

INSTALLING ANTENNA MOUNT

1. Install an appropriate 1" diameter extension mast, antenna mount or pipe.
2. Route cable (30' RG-59 provided) from antenna location to control box.
3. Attach F-connector (#4) to coax cable. See instructions for installing connectors, page 4.

CONNECTING COAX CABLE TO THE ANTENNA

1. Slide coax cable into cable tool (#3) through the slot in the side of the tool, hex end up. See Figure 2.

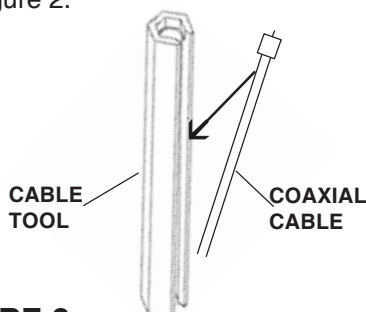
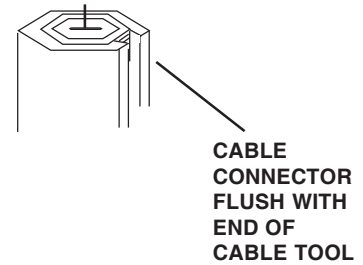


FIGURE 2

2. Pull the cable down until the end of the connector is flush with the hex-shaped end of the cable tool. See Figure 3.



3. Insert the cable tool with cable attached into the mounting bracket on the underside of the antenna, aligning the end of the connector with the cable connection on the antenna. Push up until you feel a SLIGHT resistance.
4. Turn cable tool **to the right** until the connector is tight.
5. Remove cable tool.

INSTALLING ANTENNA ON MOUNT

1. After cable connection is made, slide antenna onto mount. GENTLY pull back any extra cable.
2. Fasten antenna to mast using 1/4-20 carriage bolts (#10) and nylock hex nuts (#9). Tighten firmly to prevent antenna from turning on mount or mast.

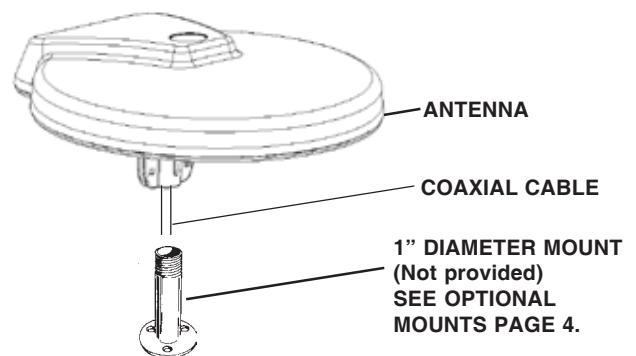


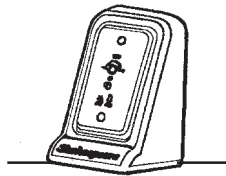
FIGURE 4

MOUNTING THE CONTROL BOX:

You have two options:

OPTION A: *Set Top-Mounted*

Secure the control box using the velcro strips (#13) provided.



OPTION B: *Flush-Mounted*

Detach wall plate from control box case.

Cut hole in wall large enough to accommodate the cable connections. Pull cables and power wires through wall.



CONNECTING CONTROL BOX

Connections on the back of the control box are clearly marked.

WARNING

DO NOT CONNECT TO BOAT'S AC OR DC POWER SUPPLY until all other connections on the control box are completed.

1. The 5 ft. 18 GA power wire (#7) provided has a + (red) wire and - (black) wire. Crimp ring terminals (#11) on one end of power wire. Connect two insulated quick-disconnect terminals (#12) to other end. Connect the end with the quick-disconnect terminals to the back of the control box, **EXACTLY AS SHOWN** in Figure 5. Connect the end with the ring terminals to the appropriate + (red) and - (black) terminals on the 117 VAC plug-in transformer (#6), Figure 5.

2. There are three coax cable connections on the back of the control box — Antenna, TV Set and Auxiliary (for cable, VCR, satellite, etc.). Attach cable from antenna to the antenna connector on the control panel. If an auxiliary source will be used, connect it now. Connect the TV cable to the back of the control panel. See Figure 5 for correct connections.

3. To connect a 12-24 vDC power source to the back of the control box, install two (#12) quick disconnect terminals on an 18-ga. insulated wire (not provided). Be sure to observe correct polarity when making these connections. See Figure 5.

NOTE: Power switches automatically between 117 volts AC (wall power source) and 12-24 volts DC (boat battery) as needed.

4. Plug transformer into AC receptacle. Use the receptacle cover plate screw to secure the transformer to the AC receptacle.
5. For **antenna reception**, push in the **On/Off** button on the front of the control panel. The Red LED will light on the control panel and on the bottom of the antenna. For **auxiliary reception**, the button should be out. No red light on control panel or antenna.
6. Turn on the TV. If you have a weak signal, turn the gain knob on the front of the control panel clockwise (up). If you have a strong signal, turn counterclockwise (down). Use the least amount of gain necessary for good reception.

FIGURE 5

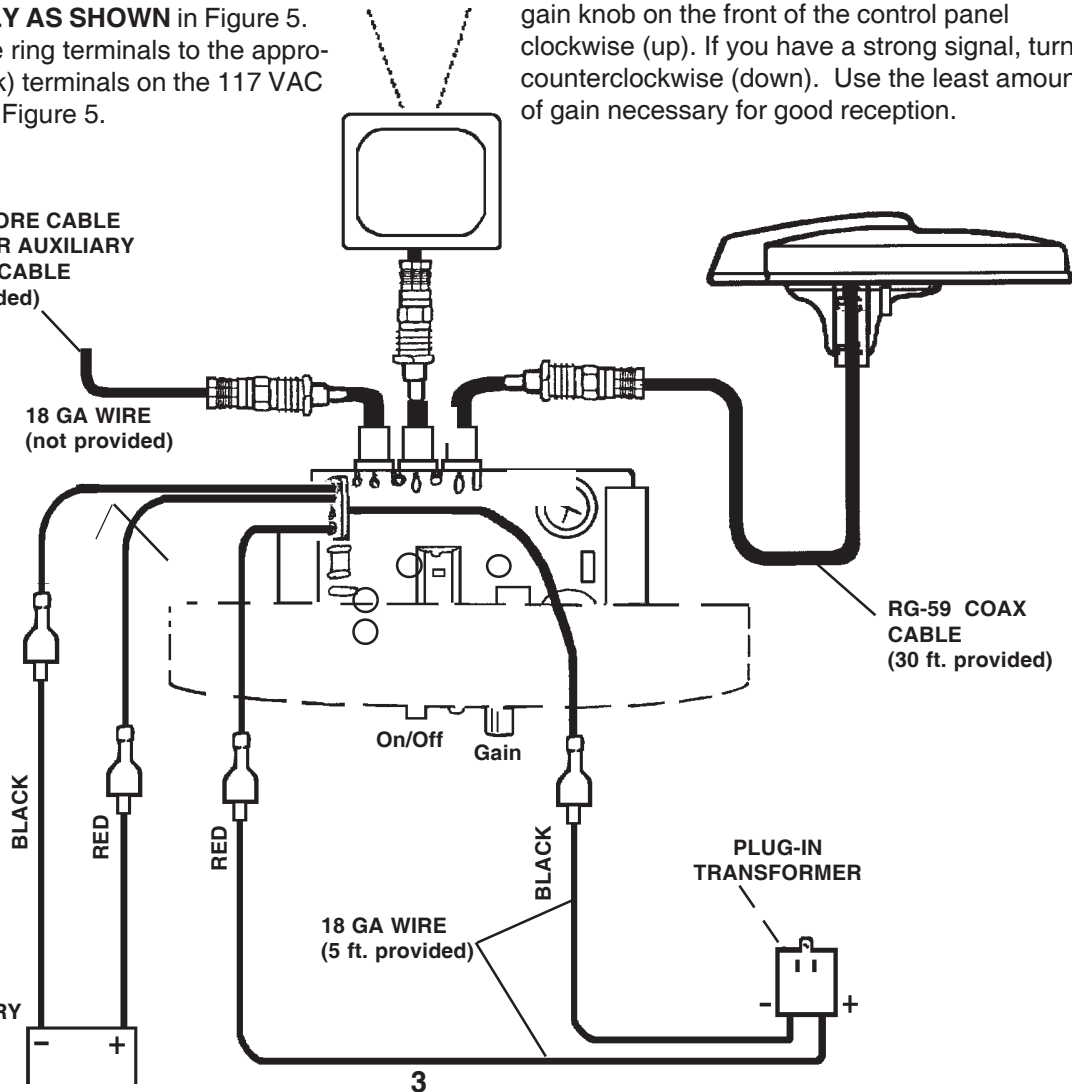
FROM SHORE CABLE
TV ON VCR AUXILIARY
COAXIAL CABLE
(not provided)

18 GA WIRE
(not provided)

IMPORTANT

Positive and Negative leads from Battery and Transformer must be connected to the control box terminals exactly as shown

BOAT BATTERY
12-24 vDC



HOW TO INSTALL F-CONNECTORS ON CABLE

To install the F-connectors, strip the ends of the RG-59 cable as shown in Figure A. (Note the ends of the original 30' cable have been factory pre-stripped for convenience.)

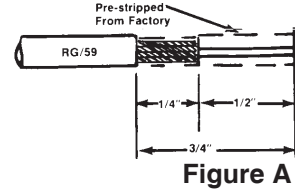


Figure A

Pull back braid over jacket. Make sure no braid touches center conductor. Figure B.

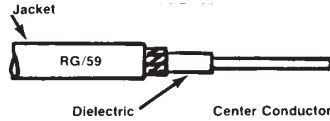


Figure B

Screw the F-connector onto the cable jacket until the center conductor extends 1/8" past end of connector. Figure C.

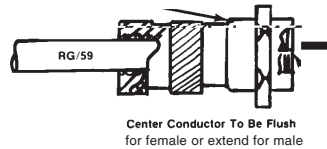


Figure C

RECOMMENDATIONS FOR INSTALLING CABLE

Minimum Bending Radius: 3" for RG-59. Tighter bends will cause shorts and change impedance.

Pulling Tension: 75 pounds maximum. Leave no tension on cable after it is installed.

Staples or Clamps: The use of flat staples with coax cable is damaging to the cable. Only round headed staples can be used. Any clamps or securing devices used with coax should grip the cable evenly about the circumference without crushing the cable.

Exposure to High Heat: Maximum temperature limit is 176° F (80° C). Keep cable away from heating vents, engine compartments and engine exhaust pipes.

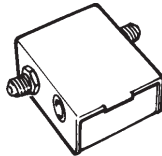
Crushing: Coax should not be installed in a manner that would allow it to be crushed. It should not be stuffed or wedged into areas where the cable could be pinched by the flexing of the boat hull or cabin.

Exposure to Moisture: The cable jacket will withstand most outdoor environments. However, connections and splices must be sealed against water entry.

4358

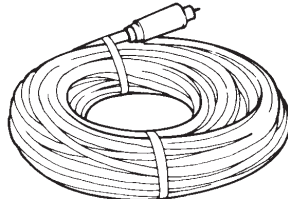
FM Take-off

Designed to provide FM radio signals from TV antenna. The 4358 may be attached anywhere in the download cable and will not interfere with regular TV reception.



4330

30' RG-59 low loss, marine type, coaxial TV cable.



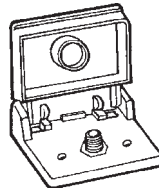
4360-B

50' RG-59 low loss, marine type, coaxial TV cable.

TV-1024

Connector

Surface mounted flip-open "F" pass-through connector. Attaches to any flat surface providing an easy connection for coax cables when needed, and closing out the environment when not in use.



FS-8101

"F" type Barrel Connector

Use with two TV-1060 "F" connectors to form a secure RG-59 cable splice.



TV-1060

Screw-on "F" type Connector

No soldering or crimping required. Two per pack.



4364

1' Extension Mast

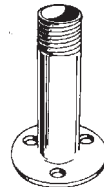
One inch diameter extension mast for light to moderate duty applications. White molded polycarbonate male upper and female lower 1" - 14 threads.



4365

Straight Mount

4" high 1"-14 thread stainless steel mount. Perfect for radar arches. May be used with Style 4364 one foot extension mast.



4700

Stainless Steel Extension Mast

Heavy-duty stainless steel extension mast with standard 1"-14 thread male and female fittings. 6" long.

4700-1

Stainless Steel Extension Mast

Heavy-duty stainless steel extension mast with standard 1"-14 thread male and female fittings. 1' long.

4700-2

Stainless Steel Extension Mast

Heavy-duty stainless steel extension mast with standard 1"-14 thread male and female fittings. 2' long.



Shakespeare[®]